



SDS LOAD CELL
HIGH PRECISION
& PERFORMANCE

BAR Platform scale

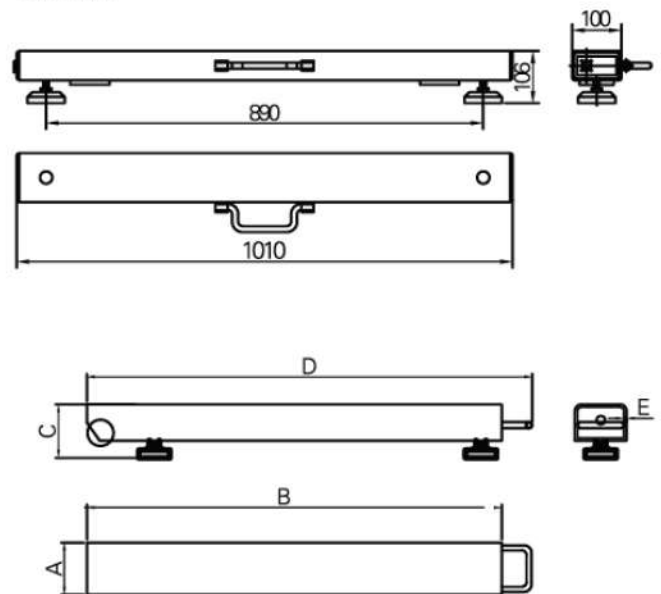


Size 1.2 x 1.2 m.

Features

- 85mm low profile height weight for weighing good on pallet
- Material : Mild steel or stainless steel
- Wheels is equipped for moving easily
- Handle for lifting easily
- Resolution : n=3000

• Unit: mm



Configuration Table

| Capacity | A | B | C | D | E | Weight (kg) | Ctn Size (m) |
|----------|-----|------|-----|------|---|-------------|-------------------|
| 1-3 T | 100 | 1000 | 100 | 1060 | 6 | 36 | 1.14 x 0.2 x 0.17 |
| 1-3 T | 100 | 1200 | 100 | 1260 | 6 | 41 | 1.34 x 0.2 x 0.17 |