

C12 StandardLine

Dependable Accuracy



Reliable Weighing Results

Conveyors and adjustable guide rails ensure best-in-class product handling and flawless product flow. The precision-made METTLER TOLEDO load cell with OIML R60 C3 approval ensures proven reliable and accurate weighing.



Performance in Challenging Environments

The optional washdown design supports endurance and maximum reliability in wet and dry working environments. The special, washdown conveyors allow regular cleaning routines to maintain hygiene standards.



Systematic Safety Design

Hazard notifications are placed according to comprehensive strict risk assignment. A guard covers each rejection device. An emergency stop button is included, to cut the power supply and rapidly decrease the pneumatic pressure.



Optionally Integrated Metal Detection for Brand Protection

C12 StandardLine is available as a combination system with a Safeline ASN metal detector to achieve high product safety while still ensuring a small equipment footprint. Ideal as a Critical Control Point for the best possible quality and to prove due diligence.



Global Service Support

An extensive global service network fully supports cross-border contracts and ensures timely support, availability, and rapid delivery of spare parts. This reduces downtime and keeps production running smoothly.



C12 StandardLine

Flexible, Accurate and Cost-efficient

The flexible and versatile C12 StandardLine checkweigher with a throughput of up to 200 packs per minutes and a weighing range of up to 6000 g delivers the highest accuracy. It comprises a 6.5" high-contrast color touchscreen with clear menus and user prompts, a facility for height adjustment and reversible transport direction, thereby combining the latest weighing technology and economy in a compact system.

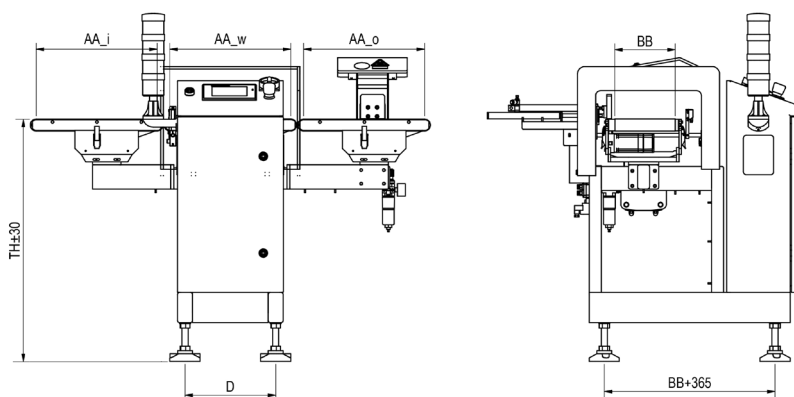
The systems is operated from a multilingual touchscreen positioned in front of the conveyor for maximum operator safety. A choice of optional outfeed conveyors and sorting/rejecting devices allows a C12 StandardLine checkweigher to be optimally configured for individual production requirements.

C12 StandardLine

Dependable Accuracy

General Technical Data

Weighing technology	METTLER TOLEDO strain gauge load cell
Weighing terminal (HMI)	6.5" high-contrast color touchscreen display with emergency stop switch, three-level user access profiles with password protection, six selectable languages (English, Simplified Chinese, Traditional Chinese, Vietnamese, Korean, Russian) for the dialog/prompts; display of all key up-to-date weight data, production and configuration screens; real-time data capture and distribution.
Conveyor belt speed	Continuously variable



Schematic – typical dimensions in mm (A-A, B-B vary depending on the conveyor size; ranges below are in steps)

Options and Accessories – Mechanical/Electromechanical

- Guide rails for smooth product transport
- Various sorting/rejecting devices such as pusher, air blast (air jet), grader
- Stainless steel cabinet for wet applications
- Plastic catch bins for collecting products
- Metal detector model ASN

Options and Accessories – Electronic/Software

- Grading functionality, up to 8 weight zones
- Metal detector model ASN, Version 3 or 4
- Fieldbus interface (incl. Profibus DP, Ethernet/IP)
- Interface to the METTLER TOLEDO SQC system FreeWeigh.Net™ or ProdX™ data management system – for remote access and enhanced insight in production processes
- USB socket for storage of individual weight data
- Statistics program (with PrintStick or ticket printer)
- Reject verification
- Pressure monitoring device
- Weight data interface: RS232, Ethernet
- Multi-evaluation (Barcode scanner, binary)

Technical Details

Technical Details	C12 StandardLine
Weighing range	10 to 6000 g
Accuracy*	from ±1 g
Throughput (weighings/minute)	120 to max. 200
Infeed conveyor length (A-A) range	250 - 400 mm (distance between roller centers)
Infeed conveyor width (B-B) range	200 - 300 mm
Weighing conveyor length (A-A) range	250 - 600 mm (distance between roller centers)
Weighing conveyor width (B-B) range	200 - 400 mm
Outfeed conveyor length (A-A) range	250 - 400 mm (distance between roller centers)
Outfeed conveyor width (B-B) range	200 - 300 mm
Line height (TH), other on enquiry	550 - 1200 mm (adjustable by ±40 mm)
Temperature range (°C)	0 to 40
Compressed air supply	approx. 6 bars (87 p.s.i.)
Noise level, standard system at full speed**	less than 70 dBA at 1 m height and 1 m distance
Product (article) setup memory	for up to 100 products
Classification	in 3 weight zones
Zero reset	automatic or manual
Electrical (with lockable mains disconnect)	100 - 240 VAC, 50/60 Hz, single-phase, 500 VA
Ingress protection rating	IP54, optional IP65 (water protection)/IP66 (washdown)
Standard surface finish	powder coated cabinet and stainless steel frame

* within the limits of the official margin of error, depending on the weight, dimensions and transport behavior of the product to be weighed

** certain conveyor and sorting/rejecting device options may increase the system noise level

Other options and accessories available

METTLER TOLEDO Service with global reach and tailored care solutions



Mettler-Toledo Group

Product Inspection Division
Local contact: www.mt.com/contacts

Subject to technical changes. Images are examples only.
© 02/2018 METTLER TOLEDO. All rights reserved.
230 EN

www.mt.com/C-Series-PI

For more information