

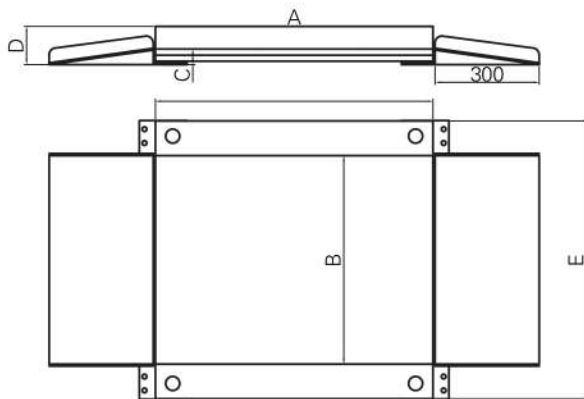


# Low profile floor scale

SDS LOAD CELL  
HIGH PRECISION  
& PERFORMANCE

## Features

- High resolution
- Low profile 35-45mm height
- Integral side and end guards protect the load cell form accidental side -impact damage
- Ramps are available for lifting the load on to and off scales easily



## Configuration table

Capacity	A	B	C	D	E
1-3 t	800	800	35-45	110	1000
1-3 t	1000	1000	35-45	110	1200
1-3 t	1200	1200	35-45	110	1400

## Capacity & Resolution table

MODEL	Low profile floor scale							
Capacity (kg)	300	500	600	750	1000	1200	1500	2000
Division (kg)	0.02	0.05	0.05	0.1	0.1	0.2	0.2	0.2

The specifications and external design are subject to change without notice for further improvement.