



MODEL IDS108 SERIES Crane scale

SDS LOAD CELL
HIGH PRECISION
& PERFORMANCE

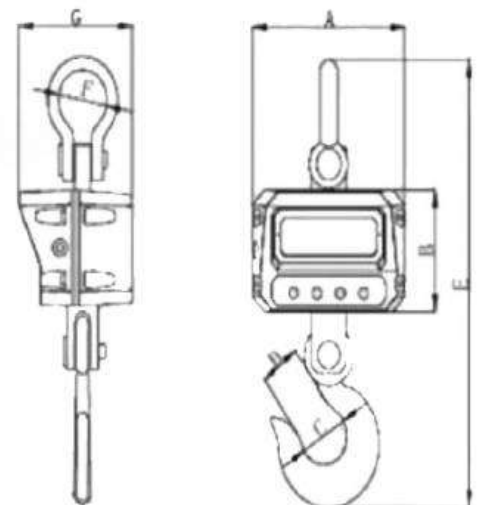
Features

- LED display number height 40 mm.
- CE Standard
- Capacity from 600 kg to 30 tons
- Durable construction with overload safety up to 200%
- Large bright red led (1.5 inches)
- Tare, zero, hold function
- Auto zero tracking power saving mode
- Remote control



Specification

Model	A	B	C	D	E	F	G	Division
IDS108-600K	260	171	50	50	575	87	194	0.2 kg
IDS108-1T	260	171	50	50	575	87	194	0.5 kg
IDS108-2T	260	171	50	50	575	87	194	0.5 kg
IDS108-3T	260	171	50	50	575	87	194	1 kg
IDS108-5T	260	171	60	63	616	89	194	2 kg
IDS108-10T	260	171	75	100	740	100	204	5 kg
IDS108-15T	260	171	82	100	940	137	214	5 kg
IDS108-20T	260	171	92	127	940	137	214	10 kg



The specifications and external design are subject to change without notice for further improvement.