



# MODEL IDS609-SS Series

## SDS Load cell

SDS LOAD CELL  
HIGH PRECISION  
& PERFORMANCE

### Features

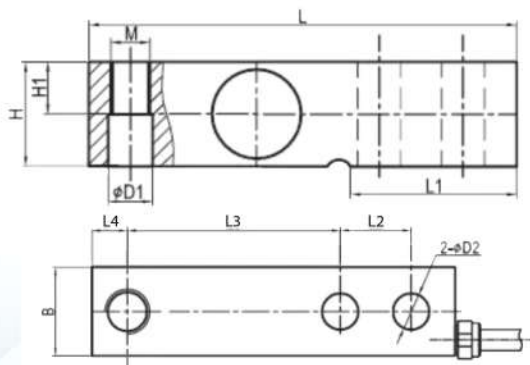
- Stainless steel constuction
- Japanese technology applied
- Special rubber for high humidity protection
- 6 Cable wires for protected dropping signal



### Specification

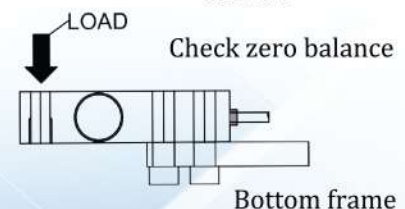
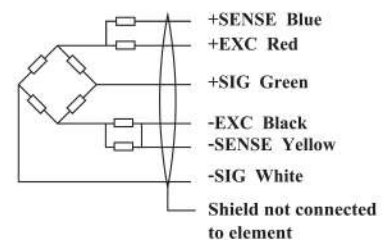
PARAMETER	VALUE	UNIT
Capacity	250 , 500 , 1000 , 2000, 5000	kg
Rated output	$2 \pm 0.004$	mV/V
Zero balance	$\pm 0.02$	mV/V
<b>Input resistance</b>	<b><math>385 \pm 2</math></b>	<b>Ohms</b>
Output resistance	$350 \pm 2$	Ohms
<b>Non linearity</b>	<b><math>\pm 0.02</math></b>	<b>% R.O.</b>
<b>Hysteresis</b>	<b><math>\pm 0.02</math></b>	<b>% R.O.</b>
Non-repeatability	0.02	% R.O.
Creep	$\pm 4$	$\mu\text{V} / 12\text{V} / 80\% \text{ R.O.} / 3\text{min}$
Zero shift	$\pm 2$	$\mu\text{V} / 12\text{V} / 80\% \text{ R.O.} / 3\text{min}$
<b>Power on stability</b>	<b><math>\pm 2</math></b>	<b><math>\mu\text{V} / 12\text{V} / 3 \text{ min}</math></b>
Temperature effect on zero	$\pm 0.05$	% R.O / 10 °C
Temperature effect on rated output	$\pm 0.02$	% R.O / 10 °C
Operating temperature range	-10~+40	°C
Excitation recommeded	5~15	V
Safe overload	150	% R.O.
Insulation resistance	$\geq 5000$ (50 VDC)	Mega-Ohms
Cable , Length	$\varnothing 5 \text{ mm} \times 4 \text{ m}$	

All specifications listed are subject to change without notice.



CAPACITY		L	L1	L2	L3	L4	H	H1	B	D1	D2	M
500,1000,1500,2000kg	mm	130	54	25.4	76.2	12.7	31.8	16.0	31.8	13.5	13	M12 x 1.75

### Color code of cable



Bottom frame