



MODEL IDS624 Series SDS Load cell

SDS LOAD CELL
HIGH PRECISION
& PERFORMANCE

Features

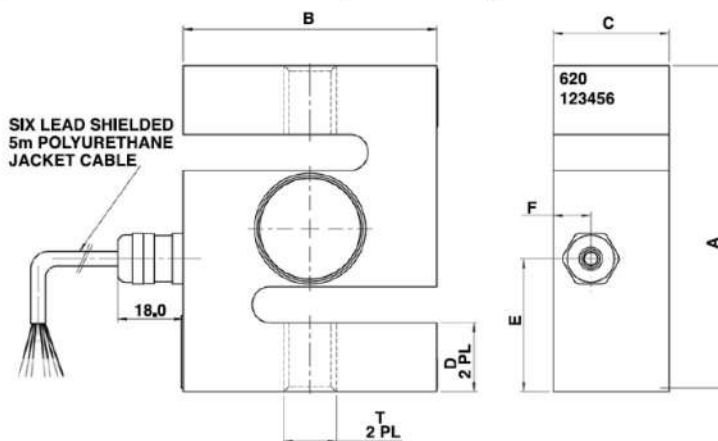
- Stainless steel construction
- S-type load cell
- For used tension or compression



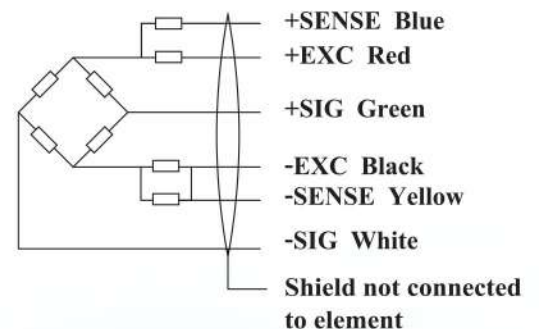
Specification

PARAMETER	VALUE	UNIT
Capacity	500, 1000, 2000, 5000	kg
Rated output	2 ± 0.01	mV/V
Zero balance	± 0.05	mV/V
Input resistance	385 ± 10	Ohms
Output resistance	350 ± 2	Ohms
Non linearity	± 0.025	% R.O.
Hysteresis	± 0.025	% R.O.
Non-repeatability	0.02	% R.O.
Creep	± 2	$\mu\text{V} / 12\text{V} / 80\% \text{R.O.} / 1\text{min}$
Zero shift	± 2	$\mu\text{V} / 12\text{V} / 80\% \text{R.O.} / 1\text{min}$
Power on stability	± 2	$\mu\text{V} / 12\text{V} / 2 \text{min}$
Temperature effect on zero	± 0.05	% R.O. / 10 °C
Temperature effect on rated output	± 0.02	% R.O. / 10 °C
Operating temperature range	-10 ~ +40	°C
Excitation recommended	5~15	V
Safe overload	150	% R.O.
Insulation resistance	≥ 5000 (50 VDC)	Mega-Ohms
Cable , Length	$\varnothing 5 \text{ mm} \times 2.5 \text{ m}$	

All specifications listed are subject to change without notice.



Color code of cable



Capacity	A	B	C	D	E	F
500, 1000, 2000 kg	90	70	32	19	36.6	10.4
5000 kg	120	100	45	26	60	13.8