



MODEL IDS627 Series SDS Load cell

SDS LOAD CELL
HIGH PRECISION
& PERFORMANCE

Features

- Stainless steel construction
- Capacity 10 - 1000kg
- IP 68 protection

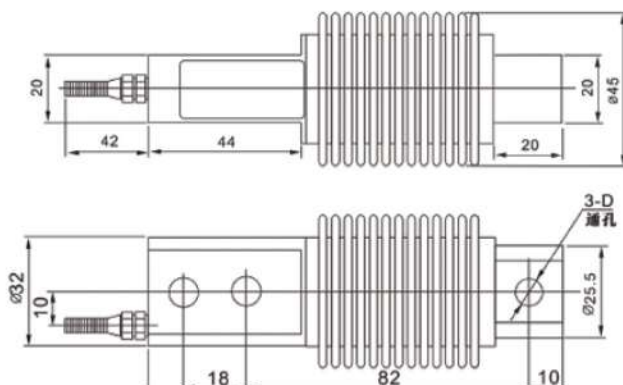


Specification

PARAMETER	VALUE	UNIT
Capacity	10, 20, 50, 100, 200, 300, 500	kg
Rated output	2 ± 0.5	mV/V
Zero balance	± 0.05	mV/V
Input resistance	385 ± 10	Ohms
Output resistance	352 ± 3	Ohms
Non linearity	± 0.02	% R.O.
Hysteresis	± 0.02	% R.O.
Non-repeatability	0.02	% R.O.
Creep	± 2	$\mu\text{V} / 12\text{V} / 80\% \text{ R.O.} / 1\text{min}$
Zero shift	± 2	$\mu\text{V} / 12\text{V} / 80\% \text{ R.O.} / 1\text{min}$
Power on stability	± 2	$\mu\text{V} / 12\text{V} / 2 \text{ min}$
Temperature effect on zero	± 0.02	% R.O. / 10 °C
Temperature effect on rated output	± 0.02	% R.O. / 10 °C
Operating temperature range	-10 ~ +40	°C
Excitation recommended	5~15	V
Safe overload	120	% R.O.
Insulation resistance	≥ 5000 (50 VDC)	Mega-Ohms
Cable , Length	$\varnothing 5 \text{ mm} \times 3 \text{ m}$	

All specifications listed are subject to change without notice.

10 - 500 Kg



Color code of cable

