



MODEL IDS636-H Series SDS Load cell

SDS LOAD CELL
HIGH PRECISION
& PERFORMANCE

Features

- Aluminium alloy construction
- High precision scale used
- Single point load cell



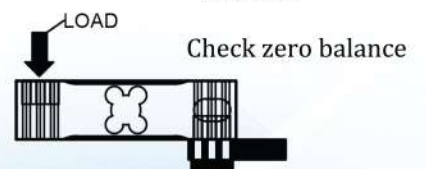
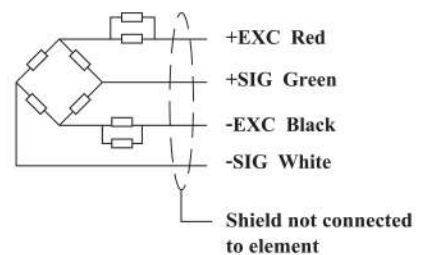
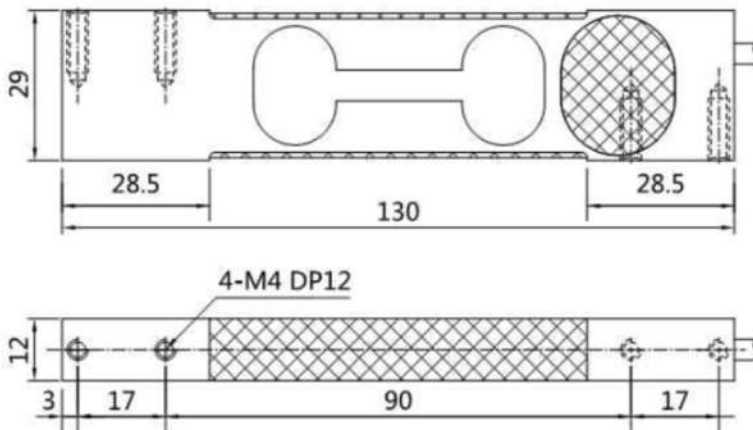
Specification

| PARAMETER | VALUE | UNIT |
|------------------------------------|-----------------|----------------------------------|
| Capacity | 0.3,0.5,1,2,3 | kg |
| Rated output | 1.3 ± 0.2 | mV/V |
| Zero balance | ± 0.05 | mV/V |
| Input resistance | 405 ± 10 | Ohms |
| Output resistance | 350 ± 3 | Ohms |
| Non linearity | ± 0.02 | % R.O. |
| Hysteresis | ± 0.015 | % R.O. |
| Non-repeatability | 0.015 | % R.O. |
| Creep | ± 2 | µV / 12V / 100% R.O./1min |
| Zero shift | ± 2 | µV / 12V / 100% R.O./1min |
| Power on stability | ± 2 | µV / 12V / 2 min |
| Temperature effect on zero | ± 0.03 | % R.O / 10 °C |
| Temperature effect on rated output | ± 0.03 | % R.O / 10 °C |
| Operating temperature range | -20 ~ +60 | °C |
| Excitation recommended | 5 ~ 12 | V |
| Safe overload | 150 | % R.O. |
| Insulation resistance | ≥ 5000 (50 VDC) | Mega-Ohms |
| Cable , Length | ø 4 mm x 0.25 m | |

All specifications listed are subject to change without notice.

Color code of cable

Color code of cable



Bottom frame