



MODEL IDS637 Series SDS Load cell

SDS LOAD CELL
HIGH PRECISION
& PERFORMANCE

Features

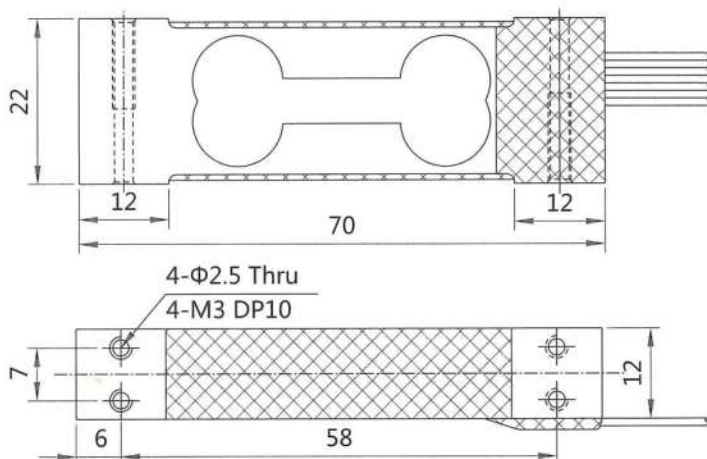
- Aluminium construction
- High precision
- Single point load cell for balance



Specification

PARAMETER	VALUE	UNIT
Capacity	0.3 , 0.6 , 1.2 ,1.5 , 3	kg
Rated output	1 ± 0.2	mV/V
Zero balance	± 0.05	mV/V
Input resistance	405 ± 10	Ohms
Output resistance	350 ± 2	Ohms
Non linearity	± 0.01	% R.O.
Hysteresis	± 0.01	% R.O.
Non-repeatability	0.01	% R.O.
Creep	± 2	µV / 12V / 80% R.O./1min
Zero shift	± 2	µV / 12V / 80% R.O./1min
Power on stability	± 2	µV / 12V / 2 min
Temperature effect on zero	± 0.05	% R.O / 10 °C
Temperature effect on rated output	± 0.02	% R.O / 10 °C
Operating temperature range	-10 ~ +40	°C
Excitation recommended	4 ~ 12	V
Safe overload	150	% R.O.
Insulation resistance	≥ 5000 (50 VDC)	Mega-Ohms
Cable , Length		ø 5 mm x 0.4 m

All specifications listed are subject to change without notice.



Color code of cable

