



MODEL IDS648-M Series SDS Load cell

SDS LOAD CELL
HIGH PRECISION
& PERFORMANCE

Features

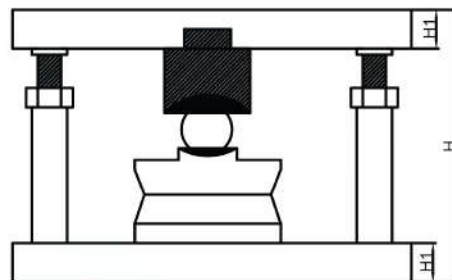
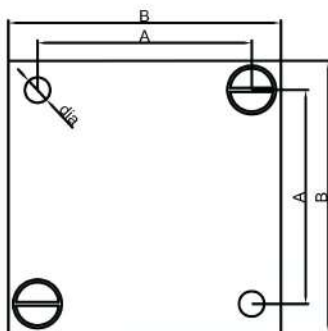
- Steel construction
- Load cell for tank or hopper
- High precision



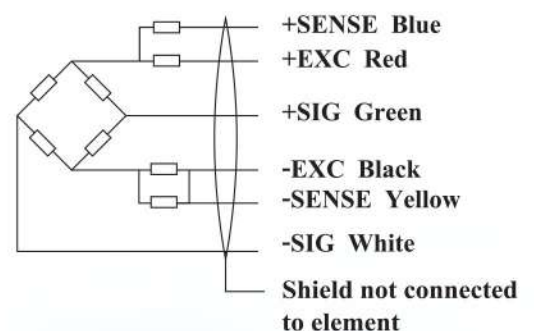
Specification

PARAMETER	VALUE	UNIT
Capacity	1,2,2,3,3,4,7,10,15,22,33,47,68,100,150	T
Rated output	2.85 ± 0.01	mV/V
Zero balance	± 1	% F.S.
Input resistance	1450 ± 10	Ohms
Output resistance	1402 ± 5	Ohms
Non linearity	± 0.05	% R.O.
Hysteresis	± 0.05	% R.O.
Non-repeatability	0.01	% F.S.
Creep	0.03	μV / 12V / 80% R.O./1min
Zero shift	0.03	μV / 12V / 80% R.O./1min
Power on stability	± 2	μV / 12V / 1 min
Operating temperature range	-10 ~ +40	°C
Excitation recommended	5 ~ 12	V
Safe overload	150	% R.O.
Insulation resistance	≥ 5000 (50 VDC)	Mega-Ohms
Cable , Lenght	ø 5 mm x 15 m	

All specifications listed are subject to change without notice.



Color code of cable



CAP/SIZE	A	B	H	H1	dia
1-4.7t	100	140	110-115	20	15
10-22t	140	180	150-155	20	18
33t	200	250	192-197	25	22