



# MODEL IDS652 Series SDS Load cell

SDS LOAD CELL  
HIGH PRECISION  
& PERFORMANCE

## Features

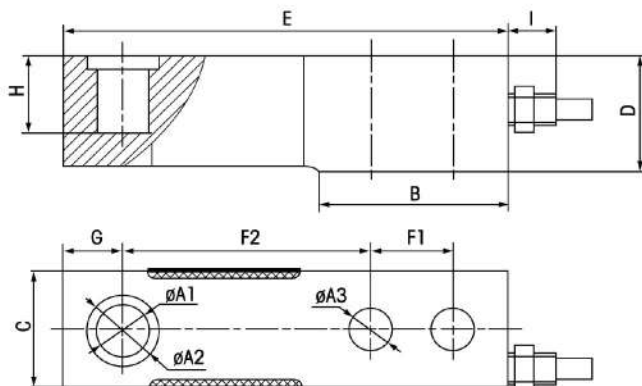
- Alloy steel construction
- Japanese technology applied
- Special rubber for high humidity protection
- Special silicone surface coating



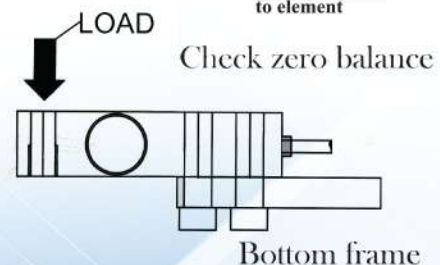
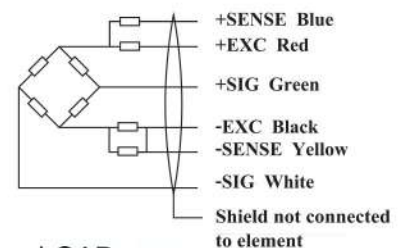
## Specification

PARAMETER	VALUE	UNIT
Capacity	1000, 2000	Kg
Rated output	$3 \pm 2$	mV/V
Zero balance	$\pm 0.01$	mV/V
Input resistance	$385 \pm 10$	Ohms
Output resistance	$350 \pm 2$	Ohms
<b>Non linearity</b>	<b><math>\pm 0.02</math></b>	<b>% R.O.</b>
<b>Hysteresis</b>	<b><math>\pm 0.02</math></b>	<b>% R.O.</b>
Non-repeatability	0.02	% R.O.
Creep	$\pm 2$	$\mu\text{V} / 12\text{V} / 80\% \text{ R.O.} / 1\text{min}$
<b>Zero shift</b>	<b><math>\pm 2</math></b>	<b><math>\mu\text{V} / 12\text{V} / 80\% \text{ R.O.} / 1\text{min}</math></b>
<b>Power on stability</b>	<b><math>\pm 2</math></b>	<b><math>\mu\text{V} / 12\text{V} / 2 \text{ min}</math></b>
Temperature effect on zero	$\pm 0.05$	% R.O. / $10^\circ\text{C}$
Temperature effect on rated output	$\pm 0.02$	% R.O. / $10^\circ\text{C}$
Operating temperature range	$-10 \sim +40$	$^\circ\text{C}$
Excitation recommended	$5 \sim 12$	V
Safe overload	200	% R.O.
Insulation resistance	$\geq 5000 (50 \text{ VDC})$	Mega-Ohms
Cable, Length		$\phi 5 \text{ mm} \times 4 \text{ m}$

All specifications listed are subject to change without notice.



### Color code of cable



Capacity	$\phi A1$	$\phi A2$	$\phi A3$	B	C	D	E	F1	F2	G	H	I	J
1t	16	22	12.5	58.2	36.6	36.6	137	25.4	76.2	18.4	23.7	17	54.6
2t	16	22	12.5	58.2	36.6	36.6	137	25.4	76.2	18.4	23	17	55.3