



MODEL IDS658 Series SDS Load cell

SDS LOAD CELL
HIGH PRECISION
& PERFORMANCE

Features

- Capacities 1K - 75 Klbs
- Double -ended center load shear beam design
- Rationalized outputs
- Free of horizontal movement
- Insensitive side load
- Electroless nickel plated alloy tool steel

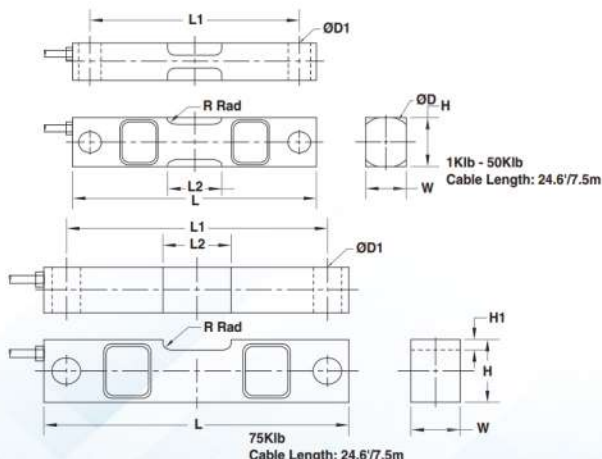


Compatible with DSR CELTRON

Specification

PARAMETER	VALUE	UNIT
Capacity	1k,1.5k,2k,3k,5k,10k,15k,20k,25k,50k,75k	Klbs
Accuracy class	C3	
Rated output	3.0 ± 1%	mV/V
Zero balance	± 1	mV/V
Input resistance	770 ± 10	Ohms
Output resistance	700 ± 5	Ohms
Non linearity	± 0.025	% R.O.
Hysteresis	± 0.025	% R.O.
Non-repeatability	0.02	% R.O.
Creep	± 2	µV / 12V / 80% R.O./1min
Zero shift	± 2	µV / 12V / 80% R.O./1min
Power on stability	± 2	µV / 12V / 2 min
Temperature effect on zero	± 0.0013	% R.O / 10 °C
Temperature effect on rated output	± 0.0025	% R.O / 10 °C
Operating temperature range	-10 ~ +40	°C
Excitation recommended	10 ~ 15	V
Safe overload	150	% R.O.
Insulation resistance	≥ 5000 (50 VDC)	Mega-Ohms
Cable , Length	6 wire x 7.5 m	

All specifications listed are subject to change without notice.



CAPACITY		L	L1	L2	W	H	H1	D	D1	R
1K / 1.5K / 2K	mm	190.5	158.8	35.4	31.7	31.7	-	31.7	12.7	5.0
2.5K / 3K / 5 Klb	inch	7.50	6.25	1.39	1.25	1.25	-	1.25	0.50	0.20
10K / 15K / 20K	mm	222.3	190.5	50.0	36.6	49.3	-	50.8	20.6	5.0
25 Klb	inch	8.75	7.50	1.97	1.44	1.94	-	2.00	0.81	0.20
50K / 75 Klb	mm	342.9	292.1	82.6	62.0	74.7	4.6	76.2	33.3	5.0
	inch	13.50	11.50	3.25	2.44	2.94	0.18	3.00	1.31	0.20

Wiring diagram

+ Excitation Red
- Excitation Black
+ Signal Green
- Signal White