



MODEL IDS677 Series SDS Load cell

SDS LOAD CELL
HIGH PRECISION
& PERFORMANCE

Features

- Alloy steel construction
- Protection class IP68

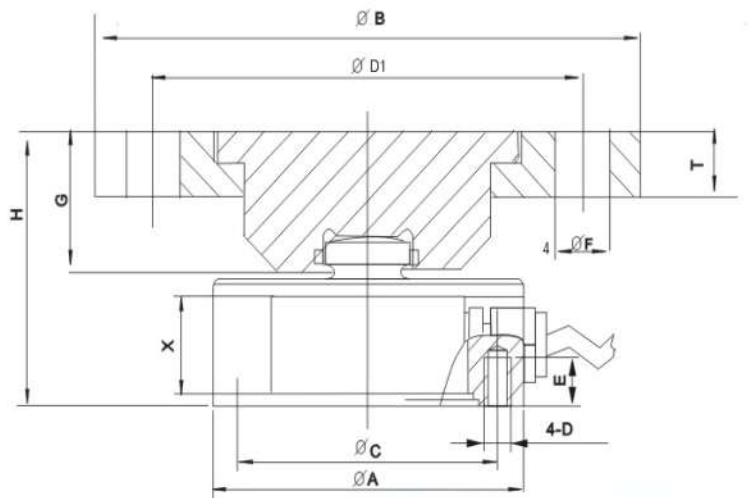
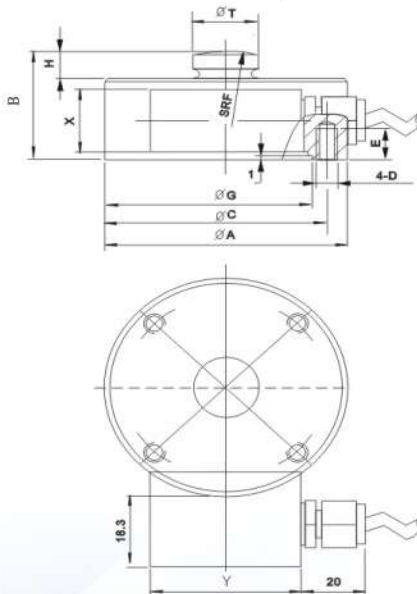


Specification

Compatible with YBSC-A KELI

PARAMETER	VALUE	UNIT
Capacity	100, 200, 500, 1000, 2000, 5000, 10000, 20000, 30000, 50000	Kg
Accuracy class	C3	
Rated output	2.0	mV/V
Zero balance	± 1	% F.S.
Input resistance	400 ± 20	Ohms
Output resistance	352 ± 3	Ohms
Creep	± 0.05	µV / 12V / 80% F.S./1min
Temperature effect on zero	± 0.05	% F.S. / 10 °C
Temperature effect on rated output	± 0.05	% F.S. / 10 °C
Operating temperature range	-10 ~ +40	°C
Excitation recommended	10 ~ 12	V
Safe overload	150	% F.S.
Insulation resistance	≥ 5000 (50 VDC)	Mega-Ohms
Cable, Length	ø 5 mm x 3m.(50-1000kg) 6m.(2-5t)12m.(10-50t)	

All specifications listed are subject to change without notice.



Rated Load	A	B	C	D	E	F	G	H	T	X	Y
0.05 ~ 1	50	30	42	M5	7	60	34	7	13	20	35
2 ~ 5	90	48	70	M10	12	100	55	12.5	25	30	50
10 ~ 20	115	60	90	M12	16	160	68	12.5	32	30	50
30 ~ 50	155	90	125	M16	20	300	97	15.5	44	30	50

Capacity(t)	A	B	C	D	D1	E	F	G	H	T	X
0.05~1	50	89	42	M5	70	7	9	21	46	10	20
2~5	90	89	70	M10	70	12	9	21	64	10	30
10~20	115	110	90	M12	90	16	13	27.5	80	15	30
30~50	155	147	125	M16	120	20	17	50	133	22	30