

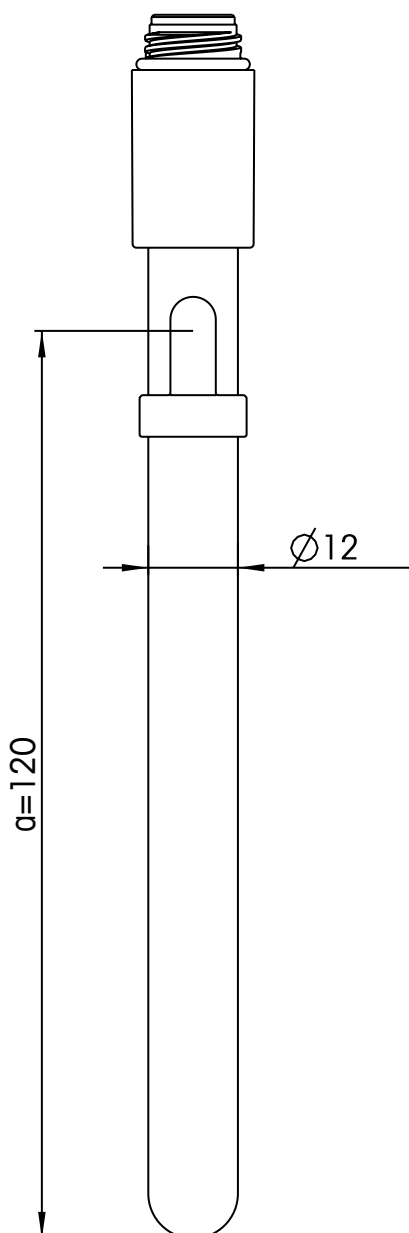
# InLab<sup>®</sup> Reference

Reference electrode

pH Ref °C ISM



Scale 1:1



**Sensor type** reference electrode

**Order number** 51343190

### Specifications

pH range -

zero point (pH) -

temperature range 0...100 °C

temperature probe -

shaft material glass

membrane glass -

membrane resistance -

reference system ARGENTHAL<sup>™</sup>

reference diaphragm ceramic

reference electrolyte 3 mol/L KCl

bridge electrolyte -

electrode head S7

cable length -

connector -

cell constant (cm<sup>-1</sup>) -

cell type -

indicating metal -

### Storage

InLab storage solution (30111142)

or 3 mol/L KCl (51350072)