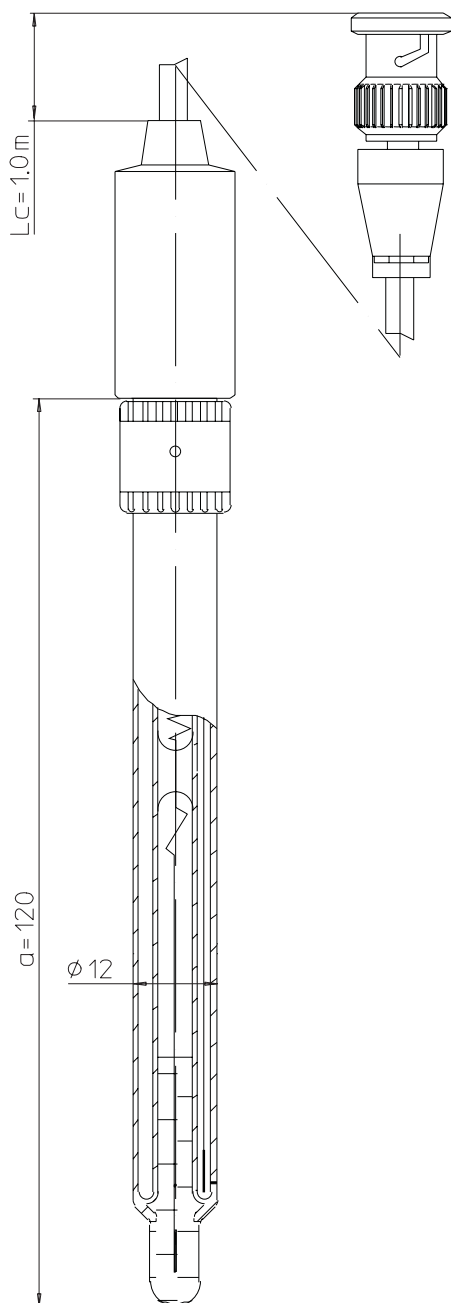


LE409**2-in-1****pH****Order number** 51340331

former order number -

Specifications

pH range 0 - 14

zero point (pH) 7.00 ± 0.25

temperature range 0 - 80 °C

temperature probe -

shaft material Glass

membrane glass HA

membrane resistance < 600 MΩ

reference system Ag / AgCl

reference diaphragm Ceramic

reference electrolyte 9811

bridge electrolyte -

electrode head LE cap

cable length 1.0 M

connector BNC

cell constant (cm⁻¹) -

cell type -

indicating metal -

Storage 3 mol/L KCl**Special features**

Suitable for dirty solution

Refillable reference electrolyte

Scale 1:1