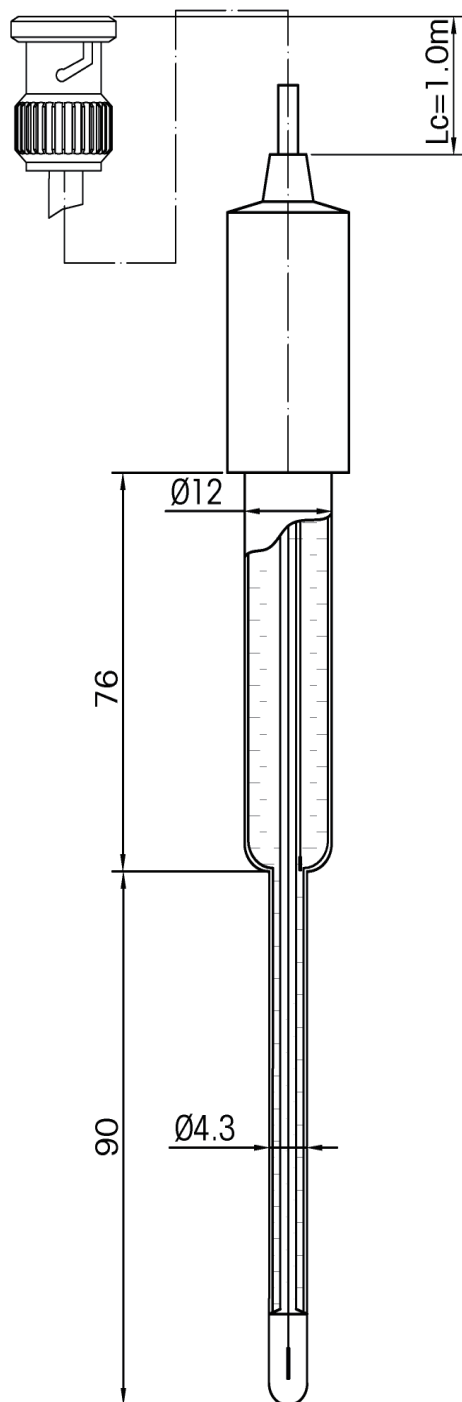


**LE422****2-in-1****pH****Order number** 30089747

former order number -

**Specifications**

pH range 0 - 14

zero point (pH) 7.00 ± 0.25

temperature range 0 - 80 °C

temperature probe No

shaft material Glass

membrane glass U glass

membrane resistance &lt; 250 MΩ

reference system Ag/AgCl

reference diaphragm Ceramic

reference electrolyte Gel

bridge electrolyte -

electrode head LE cap

cable length 1.0 m

connector BNC

cell constant (cm<sup>-1</sup>) -

cell type -

indicating metal -

**Storage** 3 mol/L KCl**Special features**

Suitable for small samples

Scale 1:1